



NS10LT Series

SENTEST.com

Wide temperature range.

Providing professional IR sensors for different applications.





Infrared Thermometer

- Temperature range : 0°C ~ 500°C
- Optical resolution up to 15:1
- 150 ms response time
- 0~5V , Type K or J output
- Power Supply 24VDC
- Rugged IP 65 stainless steel housing
- Standard 2m cable
- RS485 (2-Wire) digital interface



General Specifications

| | |
|----------------------|---------------------------|
| Environmental Rating | IP 65 (NEMA - 4) |
| Ambient Temperature | 0°C to 70°C |
| Storage Temperature | -20°C to 80°C |
| Relative Humidity | 10 to 95%, non-condensing |
| Cable Temperature | -20°C to 80°C |
| Weight | 150g (2m cable) |

Electrical Specifications

| | |
|-------------------------|---------------------------|
| Analog Output | 0~5V , Type K or J |
| Digital Output | RS485 (2-wire) |
| Maximum Loop Resistance | 10 K Ω |
| T/C Output Impedance | 20 Ω |
| Power Supply | 24 VDC \pm 20% |
| Current Draw | max. 50 mA |
| Cable Length | 2 m (standard), 5m or 10m |

Measurement Specifications

| | |
|-------------------|--|
| Temperature Range | 0°C ~ 500°C (32°F to 932°F) Can be customized according to customer's request |
|-------------------|--|

| | |
|-------------------|----------------|
| Spectral Response | 8 ~ 14 μ m |
|-------------------|----------------|

| | |
|--------------------------------|--------|
| Optics Resolution (90% energy) | 15 : 1 |
|--------------------------------|--------|

| | |
|------------|--|
| Accuracy*1 | \pm 1% of reading or \pm 1.5°C, whichever is greater |
|------------|--|

| | |
|-----------------|--|
| Repeatability*1 | \pm 0.5% of reading or \pm 1°C, whichever is greater |
|-----------------|--|

| | |
|----------------------------|--------|
| Response Time (95% signal) | 150 ms |
|----------------------------|--------|

| | |
|------------|--|
| Emissivity | 0.100 ~ 1.000 (PC software adjustable) 0.950 Fixed (Type K) |
|------------|--|

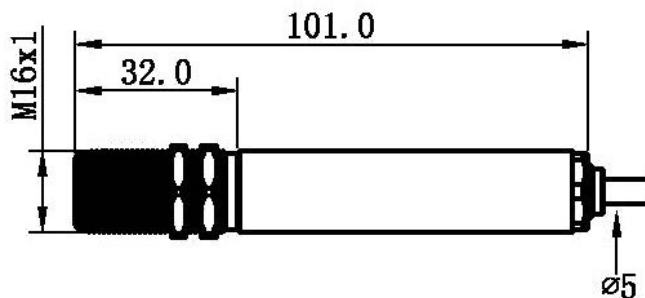
| | |
|------------------------|-------|
| Temperature Resolution | 0.1°C |
|------------------------|-------|

| | |
|-------------------|--|
| Signal processing | peak hold, valley hold, average (0~5V , Type J) |
|-------------------|--|

| | |
|----------|----------|
| Software | STonline |
|----------|----------|

*1 At 23°C \pm 5°C, emissivity = 0.95

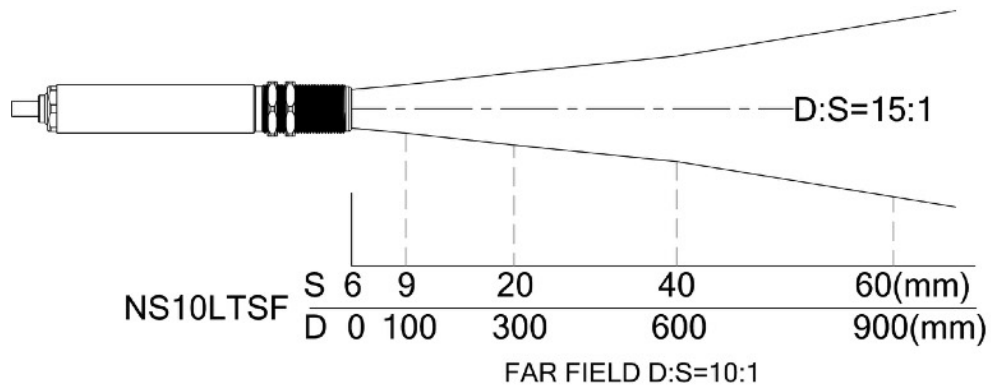
Dimensions(mm)



NS10LT Series

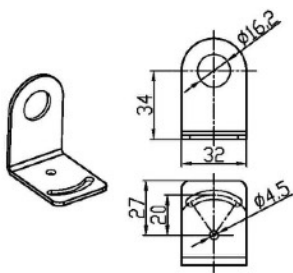


Optical Specifications

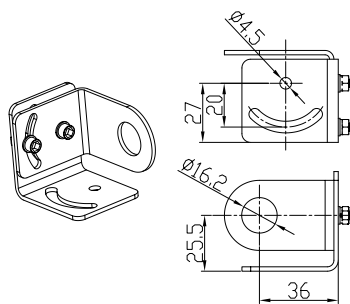


Optional Accessories

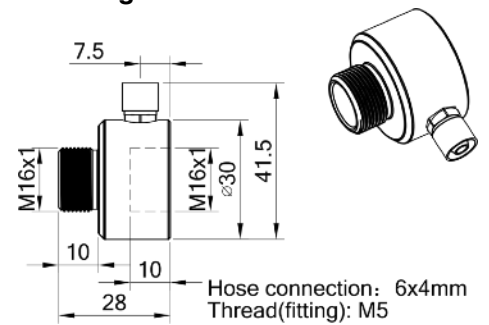
Fixed Bracket



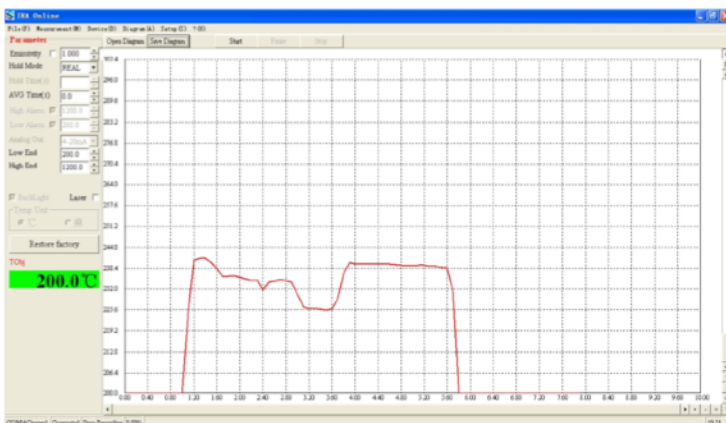
Adjustable Bracket



Air Purge Collar



STonline Software



Specifications are subject to change without notice
NS10LT-E202004-A



SENTEST Instruments Corporation Ltd.
6F-1, No.75, Section 3, Bade Road, Taipei(105), Taiwan
Tel : +886-2-2579-5079, Fax : +886-2-2579-5297
www.sentest.com