



NS10P Series

SENTES.com

Wide temperature range.

Providing professional IR sensors for different applications.





Infrared Thermometer

- Wide Temperature range : 60°C ~ 1600°C
- Superior Optical resolution up to 150:1
- Spot sizes down to 2.3 mm
- 5 ms response time
- Coaxial Red Laser aiming
- Suitable for measuring metallic shiny surfaces (H3/H3L)
- 4 ~ 20mA output
- Digital RS485 communications
- Simultaneous analog and digital outputs
- Rugged IP 65 stainless steel housing
- Adjustable signal processing
- SToonline Software



General Specifications

Environmental Rating	IP 65 (NEMA - 4)
Ambient Temperature	0°C to 70°C
Storage Temperature	-20°C to 80°C
Relative Humidity	10 to 95%, non-condensing
Cable Temperature	-20°C to 80°C
Weight	280g (2m cable)

Electrical Specifications

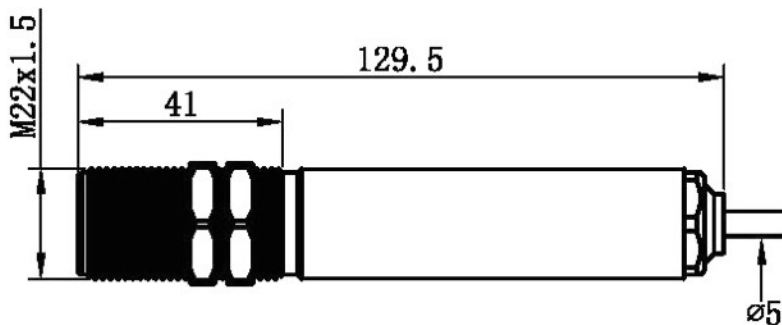
Analog Output	4~20mA
Digital Output	RS485 (2-wire)
Maximum Loop Resistance	500 Ω
Power Supply	24 VDC ± 20%
Current Draw	max. 100 mA
Cable Length	2 m (standard), 5m or 10m

Measurement Specifications

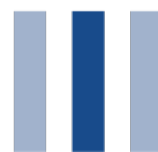
Temperature Range	H1 : 600°C ~ 1600°C (1112°F to 2912°F) H2 : 300°C ~ 1300°C (572°F to 2372°F) H3 : 100°C ~ 600°C (212°F to 1112°F) H3L : 60°C ~ 400°C (140°F to 752°F)
Spectral Response	H1: 1μm H2: 1.6μm H3/H3L: 2.3μm
Optics Resolution (90% energy)	H1 , 150 : 1 H2 , 150 : 1 H3 , 60 : 1 H3L , 40 : 1
Accuracy*1	±(0.5% of reading +2°C)
Repeatability*1	±(0.3% of reading +1°C)
Response Time (95% signal)	5 ms
Emissivity	0.100 ~ 1.000 (PC Software adjustable)
Temperature Resolution	0.1°C
Signal processing	peak hold, valley hold, average
Software	STonline

*1 At 23°C ± 5°C, emissivity = 1.00

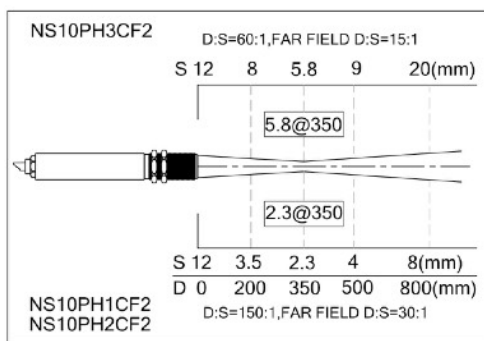
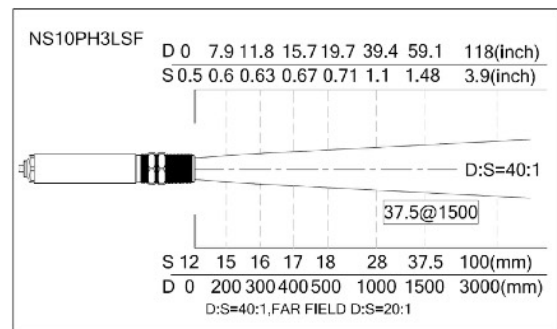
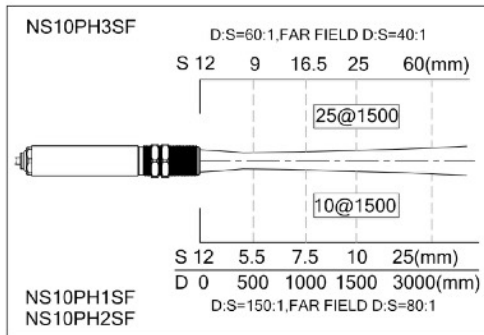
Dimensions(mm)



NS10P Series

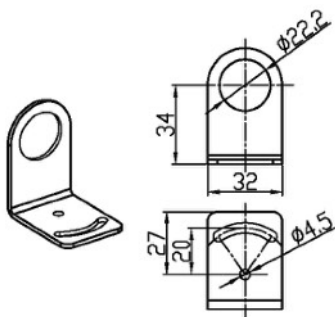


Optical Specifications

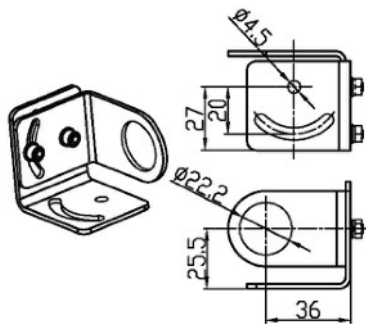


Optional Accessories

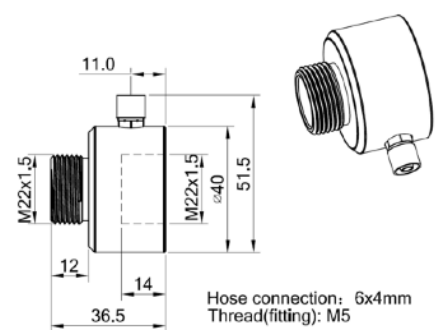
Fixed Bracket



Adjustable Bracket



Air Purge Collar



Specifications are subject to change without notice
NS10P-E23-A



SENTES Instruments Corporation Ltd.
1F., No. 43, Ln. 80, Guangfu N. Rd., Songshan Dist.,
Taipei City 105035, Taiwan
Tel : +886-2-2579-5079, Fax : +886-2-2579-5297
www.sentest.com