



**NS11M (mini)**

**SENTEST.com**

Wide temperature range.

Providing professional IR sensors for different applications.



## Infrared Thermometer

- Temperature range : 0°C ~ 500°C
- Optical resolution up to 15:1
- 150 ms response time
- 4 ~ 20mA output (2-wire)
- Rugged IP 65 aluminum housing



## General

Environmental Rating	IP 65 (NEMA - 4)
Ambient Temperature	0°C to 70°C
Storage Temperature	-20°C to 80°C
Relative Humidity	10 to 95%, non-condensing
Cable Temperature	-20°C to 80°C
Weight	142g (included cable)

## Electrical

Analog Output	4 ~ 20mA (2-wire)
Maximum Loop Resistance	500 Ω
Power Supply	24 VDC ± 20%
Current Draw	max. 50 mA
Cable Length	2m, options : 5m or 10m

## Measurement

Temperature Range	0°C ~ 500°C (32°F to 932°F)
Spectral Response	8 ~ 14 μm
Optics Resolution (90% energy)	15:1

Accuracy\*1 ±1% of reading or ±1.5°C, whichever is greater

Repeatability\*1 ±0.5% of reading or ±1°C, whichever is greater

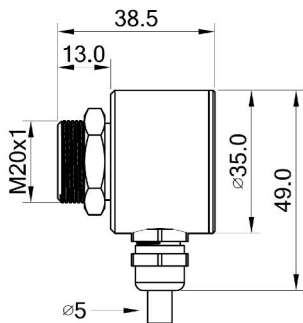
Temperature Resolution 0.1°C

Response Time (95% signal) 150 ms

Emissivity (adjustable) 0.950 fixed

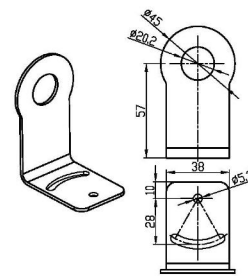
\*1 At 23°C ± 5°C, emissivity = 0.95

## Dimensions(mm)

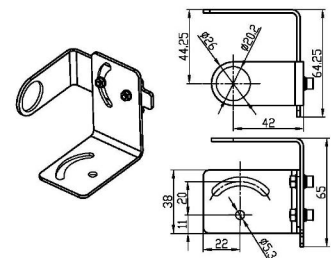


## Optional Accessories

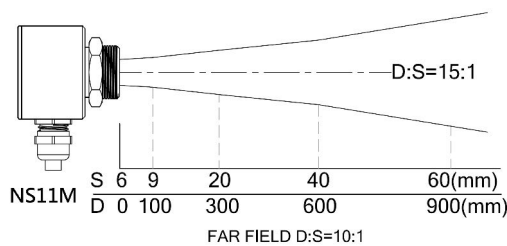
### Fixed Bracket



### Adjustable



## Optical Specifications



Specifications are subject to change without notice  
NS11M-E202004-A



SENTEST Instruments Corporation Ltd.  
6F-1, No.75, Section 3, Bade Road, Taipei(105), Taiwan  
Tel : +886-2-2579-5079, Fax : +886-2-2579-5297  
[www.sentest.com](http://www.sentest.com)