



NS11P Series

SENTEST.com

Wide temperature range.
Providing professional IR sensors for different applications.



Infrared Thermometer

- Temperature range : 0°C ~ 500°C
- Optical resolution up to 33:1
- 6 digit backlit LCD display
- 150 ms response time
- 4 ~ 20mA output
- Digital communication
- Dual Laser Sighting
- Rugged IP 64 aluminum housing
- Standard 3m cable
- Adjustable signal processing
- SOnline Software



General

Environmental Rating	IP 64
Ambient Temperature	0°C to 70°C
Storage Temperature	-20°C to 80°C
Relative Humidity	10 to 95%, non-condensing
Cable Temperature	-20°C to 80°C
Weight	330g

Electrical

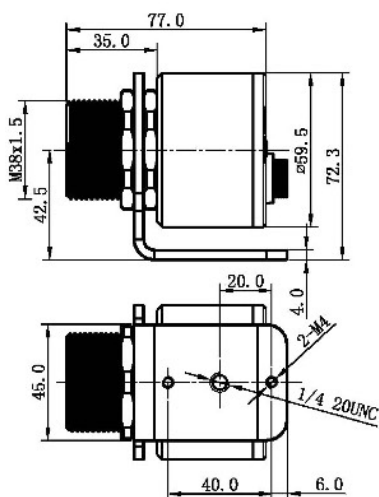
Analog Output	4~20mA
Digital Output	TTL / USB
Maximum Loop Resistance (A)	500 Ω
Power Supply	24 VDC ± 20%
Current Draw	max. 100 mA
Display	6 digit backlit LCD display
Cable Length	3 m (standard, 4-cores), 5 m / 10 m

Measurement

Temperature Range	0°C ~ 500°C (32°F to 932°F)
Spectral Response	8 ~ 14 μm
Optics Resolution (90% energy)	33 : 1 (SF) 13 : 1 (CF)
Accuracy*1	±1% of reading or ±1.5°C, whichever is greater
Repeatability*1	±0.5% of reading or ±1°C, whichever is greater
Temperature Resolution	0.1°C
Response Time (95% signal)	150 ms
Emissivity (adjustable)	0.100 ~ 1.000, in 0.001 increments
Signal processing	peak hold, valley hold, average
Software	STonline

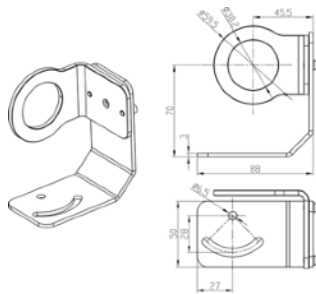
*1 At 23°C ± 5°C, emissivity = 0.95

Dimensions(mm)

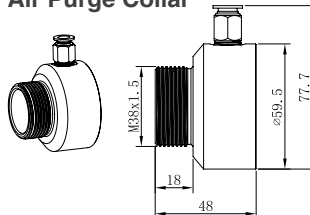


Optional Accessories

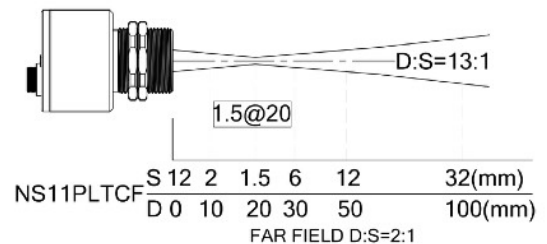
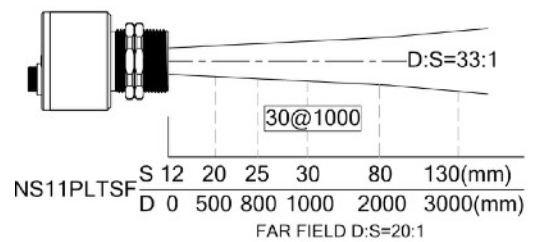
Adjustable Bracket



Air Purge Collar



Optical Specifications



Specifications are subject to change without notice
NS11P-E23-A



SENTTEST Instruments Corporation Ltd.
1F., No. 43, Ln. 80, Guangfu N. Rd., Songshan Dist.,
Taipei City 105035, Taiwan
Tel : +886-2-2579-5079, Fax : +886-2-2579-5297
www.senttest.com