



**NP15 Series**

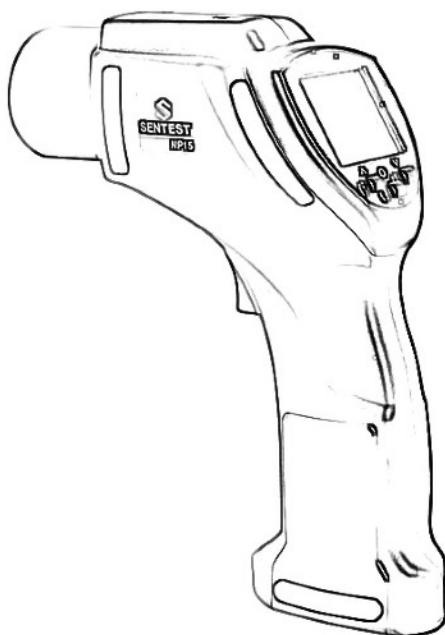
**SENTEST**.com

Wide temperature range.  
Providing professional IR sensors for different applications.



## Infrared Thermometer

- Wide Temperature range : -30°C ~ 1600°C
- Superior Optical resolution up to 300:1
- Spot sizes down to 1 mm
- 5 ms response time
- Dual laser sighting
- Visual and acoustic HIGH and LOW alarm
- 4 digit backlit LCD display
- TCK input
- STonline Software
- Suitable for measuring metallic shiny surfaces (H3)



## General Specifications

Ambient Temperature	0°C to 50°C
Storage Temperature	-20°C to 60°C Without battery
Relative Humidity	10 to 95%, non-condensing @up to 30 °C
Dimensions	163.5(L) x 207(H) x 70(W) mm
Weight	470g (battery included)
Tripod Mounting	1/4 – 20 UNC

## Electrical Specifications

Digital Output	USB
Input	Thermocouple Type K
Data logger	2,000 points
Laser	IEC Class2/FDA Class II (<1mW)
Display	4 digit backlit LCD display
Power Supply	9V alkaline battery
Battery life time	10 hours (laser and backlight on)

## Measurement Specifications

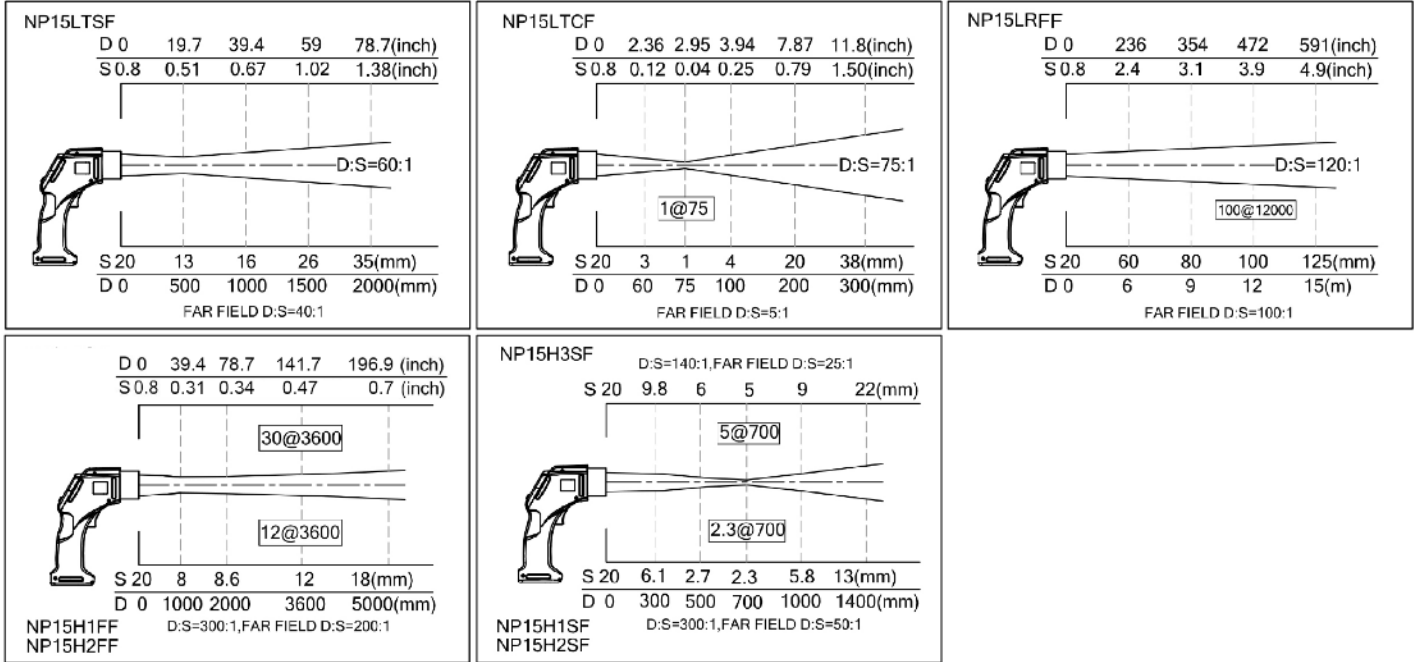
Temperature Range	LT: -30°C ~ 900°C (-22°F to 1652°F) LR: -30°C ~ 1300°C (-22°F to 2372°F) H1: 600°C ~ 1600°C (1112°F to 2912°F) H2: 300°C ~ 1300°C (572°F to 2372°F) H3: 100°C ~ 600°C (212°F to 1112°F)
Spectral Response	LT: 8 ~ 14µm LR: 8 ~ 14µm H1: 1µm H2: 1.6µm H3: 2.3µm
Optics Resolution (90% energy)	LT, 60 : 1 (SF), 75 : 1 (CF) LR, 120 : 1 H1, 300 : 1 H2, 300 : 1 H3, 140 : 1
Accuracy* <sup>1</sup>	LT/LR : ±1% of reading or ±1°C, whichever is greater; (≥ 20°C) ±1.5°C (-20 ~ 19.9°C), ±2.5°C (-30 to -20.1°C) H1/H2/H3 : ±(0.5% of reading +2°C) whichever is greater
Repeatability* <sup>1</sup>	LT/LR: ±0.5% of reading or ±0.5°C, whichever is greater H1/H2/H3: ±(0.3% of reading +1°C), whichever is greater
Response Time (95% signal)	LT/LR: 300 ms H1/H2/H3: 5 ms
Emissivity (adjustable)	0.10 ~ 1.00, in 0.01 increments
Temperature Resolution	0.1°C, (1°C above 1000°C)

\*<sup>1</sup> At 23°C ± 5°C, emissivity LT/LR = 0.95, H1/H2/H3 = 1.00

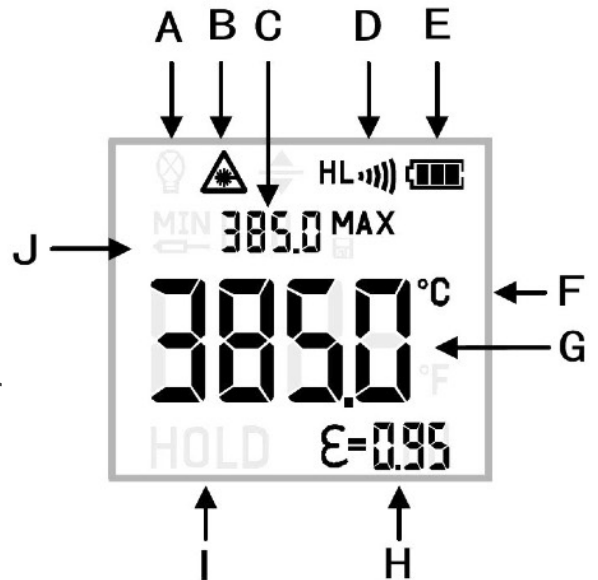
**NP15 Series**



## Optical Specifications



## Control Panel



- A: LCD backlight
- B: Laser
- C: Max/Min
- D: High/Low alarm
- E: Battery symbol
- F: °C/°F unit
- G: IR temperature
- H: Emissivity
- I: Hold mode
- J: TCK temperature

Specifications are subject to change without notice  
NP15-E23-A



SENTEST Instruments Corporation Ltd.  
1F., No. 43, Ln. 80, Guangfu N. Rd., Songshan Dist.,  
Taipei City 105035, Taiwan  
Tel : +886-2-2579-5079, Fax : +886-2-2579-5297  
[www.sentest.com](http://www.sentest.com)